

Gloss Meter

Portable Gloss Meter

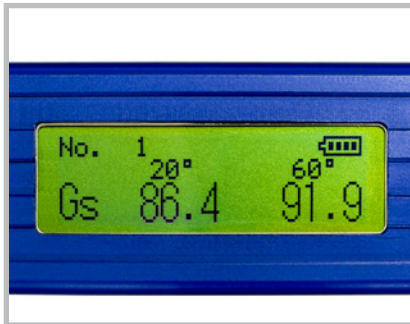
GC-1

Manage gloss more easily in more compact form factor.

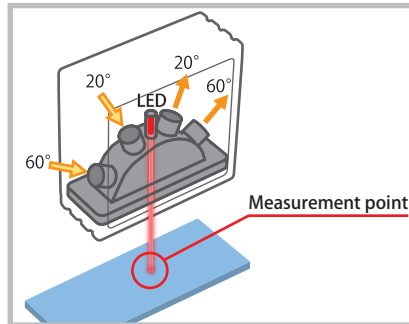


Main Features

- Confirmation of measurement points is possible before measurements with built-in Laser Target System™
- No charge time necessary by using standard AA batteries, and measurements over long time are possible by power supplied through USB
- Maintenance free due to use of long life LED with 100,000 hour life span (100 million measurements) as light source
- 3 most frequently used functions (zero adjustment/adjust to standard/measurement) are easily operated by switch on the side



Measurement screen
(displays 2 angles simultaneously)



Laser Target System™



Power supplied by AA batteries
or through USB connection

GC-1 Specifications

Geometry	60° specular gloss, 20° specular gloss (ISO 2813)
Light receiving element	Silicon photo cell and filter combination
Measurement aperture diameter	φ4mm (opening 20 x 13mm)
Light source	White LED
Stability	Standard deviation for ΔG within 0.5 (measuring a calibration standard plate 30 times)
Power requirements	Size AA battery x 1 (accepts rechargeable type batteries)
Approx. dimensions and weight	10(W) x 4(D) x 10(H) cm; 270g

*Laser Target System™ is a registered trademark of Suga Test Instruments Co., Ltd. in Japan.



Suga Test Instruments Co.,Ltd. www.suga-global.com

Head Office

5-4-14 Shinjuku, Shinjuku-ku, Tokyo, Japan 160-0022

TEL +81-3-3354-5254 FAX +81-3-3354-5275 MAIL i_sales@sugatest.co.jp

Branch (Europe office)
(Japan office)

11Lovelace Road, North Oxford, Oxfordshire, OX2 8LP, UK
Nagoya/Osaka/Hiroshima